

ENGLISH
ESPAÑOL



TRUPER®

Manual

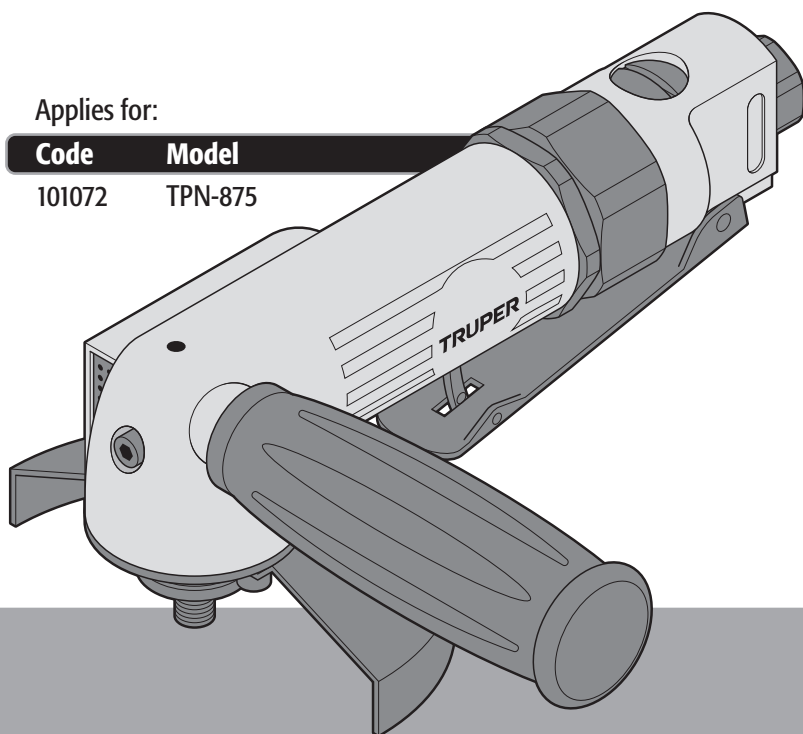
Air Angle Grinder

4 1/2"

Spindle Diameter

Applies for:

Code	Model
101072	TPN-875



TPN-875

! WARNING

Use oil continuously and dosed to lubricate the tool.

! CAUTION





Read this manual thoroughly before using the tool.



Technical Data..... **3**

Filtering and Lubrication Requirements..... **3**

 Safety Warnings for the Use of Pneumatic Tools..... **4**

 Risk Control when Using Pneumatic Tools..... **5**

Parts..... **7**

Assembly..... **7**

Start Up..... **9**

Maintenance..... **9**

Notes..... **10**

Authorized Service Centers..... **11**

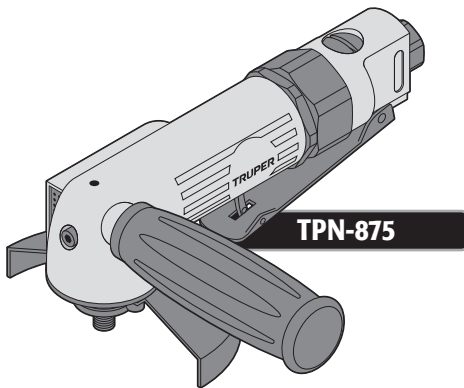
Warranty Policy..... **12**

 **CAUTION**

To gain the best performance of the tool, prolong the duty life, make the Warranty valid if necessary, and to avoid hazards of fatal injuries please read and understand this Manual before using the tool.

Keep this manual for future references.

The illustrations in this manual are for reference only. They might be different from the real tool.



TPN-875

Technical Data



TPN-875

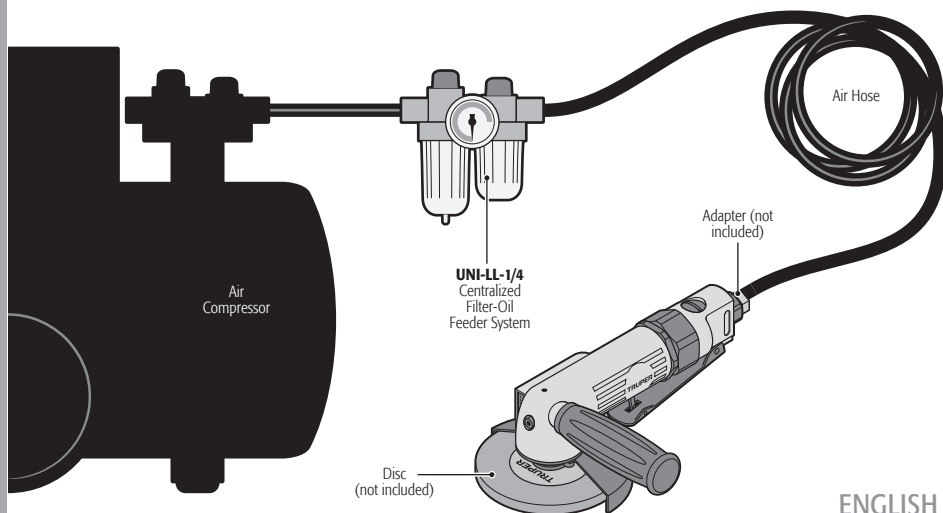
Code	•	101072
Description	•	Air angle grinder
Disc Diameter	•	4 1/2"
Spindle Diameter	•	3/8"
Vibration Level	•	< 1.6 m/s ²
Noise Level	•	98 dB
Free Speed	•	11 000 RPM
Weight	•	3.9 lb
Air Consumption	•	4.6 CFM
Hose Minimum Recommended Diameter	•	3/8"
Air Pressure	•	621 kPa (90 PSI)

CAUTION Please consider the increase in pressure in the line or the hose inside diameter to compensate the use of too long hoses (more than 8 meters). The hose minimum inside diameter shall be 3 / 8" and the connectors shall be 1 / 4NPT. Use the right size and good quality couplers and accessories.

Filtering and Lubrication Requirements

CAUTION Dust, water and lack of oil specific for pneumatic tools are the main cause of potential flaws with the tool. We recommend installing a **TRUPER** Brand **UNI-LL-1/4** centralized filter-oil feeder system. This system assures lubrication reducing 80% oil consumption significantly increasing the breathing air quality for the operator.

- The filter-oil feeder system must be regulated to administer 3 to 6 drops per minute.
 - Drain the water in the air compressor tank and also condensation in the hoses before using the tool.
- Consult the air compressor instructions.



General Safety Warnings for Pneumatic Tools

Keep your work area clean, tidy and well lit.

CAUTION Cluttered and dark areas may cause accidents.



Never use the tool in explosive areas or in the presence of flammable liquids or with no ventilation.

DANGER Sparks the tool generates could trigger an explosion or start a fire.



Keep children and passersby at a safe distance while operating the tool.

WARNING Distractions can cause losing control and cause accidents.



Avoid making contact with power lines and circuits.

DANGER Find and avoid power lines and circuits, especially hidden wiring as well as any grounded object.



Stay alert, use care and common sense.

CAUTION Familiarity with the tool operation could lead to distractions while using it. It could cause accidents.



Refrain from using the tool if tired or under the influence of drugs, alcohol or medication.

DANGER Being momentarily distracted while using the tool could cause severe personal injury.



Operate the tool with guards and protection devices in place and in good working condition.

WARNING Failure to comply with this warning is a hazard of severe personal injury.



Securely fasten and support the work piece.

CAUTION Use brackets and a stable work surface.

Never force the tool.

CAUTION Working within the tool's working design assures a better and safer job.



Keep the tool in a safe place and out of the reach of children.

WARNING Power tools are dangerous to inexperienced people.



Wear proper clothes.

WARNING Loose clothes, jewelry or long hair could get caught in the mobile parts.



Keep hands away from rotating and/or mobile parts.

WARNING Failure to comply with this warning is a hazard of severe personal injuries or crushing.



Wear adequate protective safety accessories.

CAUTION Wear eye protection, dust mask, non-skid safety shoes, helmet and ear plugs. In normal conditions, the risk of injury is reduced.



Unplug the air hose from the tool before carrying out maintenance or replacing accessories.

WARNING Prevent accidental startups that cause accidents.



Refrain from operating the tool if the switch is not working or is not properly assembled.

WARNING Failure to comply with this warning is a hazard of personal injury. Immediately send it to a **TRUPER** Authorized Service Center.



Do not overreach.

CAUTION Good balance and support lead to better controlling the tool in unexpected situations.



Never pull the air hose.

WARNING Do not use it to carry or unplug the tool from the air outlet. Damaged or tangled hoses may burst and project residues towards the operator.



Prevent unintentionally starting the tool.

WARNING Double-check the motor is OFF before lubricating, setting up accessories or carry out maintenance.



Remove brackets before turning on the tool.

DANGER Additional tools or vices installed in a rotating part could cause severe personal injury.



Double-check maintenance and good working conditions before using the tool.

CAUTION Carefully check mobile parts, alignment and assembly. Do it periodically. Look for any damaged element or parts not working properly. Repair immediately in a **TRUPER** Authorized Service Center.



Accessories.

CAUTION Use only accessories or spare parts indicated in this Manual or certified by **TRUPER**.



Never leave a running tool unattended.

CAUTION Turn off and disconnect tool after using. Set it in a safe position to avoid severe injury.

Risk Control When Using Pneumatic Tools




Risk of injury in head and eyes



- ⚠ WARNING** • Compressed air out of pneumatic equipment may be dangerous. Objects like brackets, burrs, splinters, dust and other residues may be impelled towards head and eyes due to high speed of the air flow. The air flow itself can only injure soft tissue such as eyes, ears, etc.
- ⚠ CAUTION** • The tool attachments may get loose or break and project particles towards the operator or other operators in the work area.

To prevent head and eyes injuries

- Always, when operating pneumatic equipment wear protection glasses in compliance with the ANSI Z88.1 Standard. As additional protection, wear a mask. 
- Never aim the air flow towards people or animals.
- Disconnect the air hose from the tool when not in use.
- Never set a tool unattended when connected to the air outlet.
- Before using the tool verify all the parts and accessories are perfectly secured.

Risk of explosion



- ⚠ WARNING** • Incorrect handling of pressure in pneumatic equipment may cause an explosion causing severe injuries.

To prevent explosions


- Before using the tool double check the compressed air source is regulated to the tool specified pressure and must not exceed 1 380 kPa (200 PSI).

Risk of hearing loss



- ⚠ WARNING** • Being exposed long periods of time to noise pneumatic tools produce may damage hearing permanently causing hearing loss.

To prevent hearing loss


- Always, when operating pneumatic equipment wear hearing protection in compliance with the ANSI S3.19 Standard 

Risk of inhaling particles



- ⚠ WARNING** • Abrasive tools like grinders, sanders and cutting tools generate dust and particles that damage the lungs and respiratory system.
- Some materials like resin or adhesive are made with chemicals and the vapors emitted may cause serious damage if the operator is exposed for long periods of time.

To prevent inhaling particles

- Always wear a face mask or breathing device when operating these types of tools. 
- Always work in a clean, well ventilated area.

Risk of electric shock



- ⚠ WARNING** • Pneumatic tools do not have electric insulation. If during the operation, the tool makes contact with a source of electricity, the energy will be conducted to the operator causing a fatal electrocution.

To prevent electric shock

- Never use pneumatic tools to work energized electric wiring.
- Before operating the tool find the possible hidden wiring in the work zone to prevent making contact.
- Avoid contact with grounded surfaces like pipes, radiators or refrigerators. The risk of electrocution increases if the operator's body gets grounded.

Risk of damaging the tool



- ⚠ WARNING** • Pneumatic tools forced beyond the capacity and lacking of adequate lubrication or used to loosen rusted nuts (with impact guns) will get damaged and make the Warranty void.

To prevent damaging the tool

- Keep the tool duly lubricated.
- Do not force the tool.
- Apply "loose it all" liquid to rusted nuts or lugs before trying to loosen with the tool (impact gun).

Risk of injuries



⚠ WARNING • Damaged hoses may burst and cause serious injuries or deafness.

• Pneumatic tools connected to the compressed air source, if operated by untrained staff or underage people, will cause severe injuries.

• The compressed air used in pneumatic equipment may be dangerous. Objects like vices, burrs, splinters, dust and other residues may be impelled by the high-speed air flow towards the operator or other people in the work area.


• Using inflation nozzles to clean or torch blowing may cause severe injuries.

• Tools and accessories not suitable, damaged or low quality like grinding discs, chisels, contacts, drills, brad nailer, staplers, etc., may shoot out during the operation and project particles causing severe injuries.

• Brackets may get lose and be projected causing severe injuries or damage to property.

• Tools that accidentally start may cause severe injuries.

• Tools and accessories with no maintenance may cause severe injuries.

• Tools using accessories without  **TRUPER®** certification may cause severe injuries.

• Damaged or banged tools may cause severe injuries.

To prevent injuries

- Do not abuse the hose or the connectors.
- Keep the hose away from sharp or abrasive edges.
- Unplug the hose when setting up accessories like grinding discs or bits.
- Never use the hose to carry the tool.
- Never pull the hose to unplug it.
- Do not expose the hose to heat, oil or solvents.
- Before operating the tool, verify the hoses are not damaged.

• Unplug the air hose when the tool is not in use. Store the tool in a safe place away from children or untrained people. Keep children and untrained people away from the work area.


- Keep the work area clean, tidy and with good lighting.
- Remove any wrench or plier from the tool before operating.

• Do not use inflation nozzles to clean or to torch blowing.

• Use only parts, vices and accessories recommended by  **TRUPER®**.

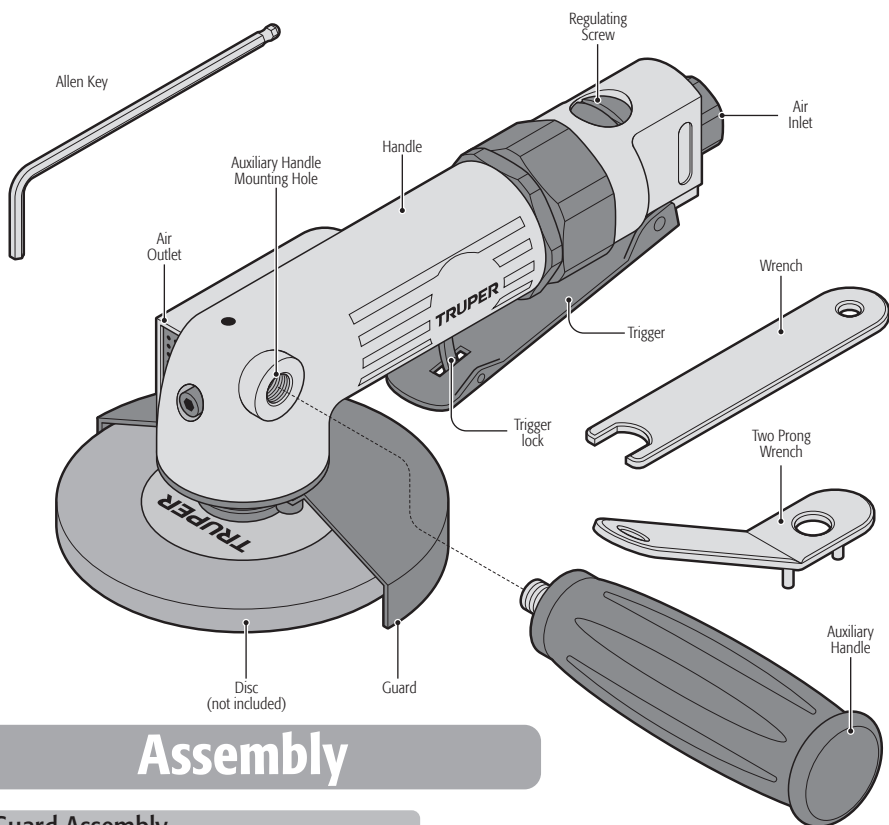
• Double check all connections are correctly installed.

- Never carry the tool by the trigger.
- Disconnect the air hose out from the tool when not in use.
- Never leave the tool unattended when connected to the air outlet.

- Keep the tool handle clean and dry, free of oil or grease.
- Keep tools clean. A meticulously cleaned and oiled tool delivers a more effective performance and is easier to control.
- Any type of repair can only be carried out in a  **TRUPER®** Authorized Service Center.

- Use always accessories matching the tool speed.
- Use only  **TRUPER®** certified accessories.

• Do not use damaged or banged tools.



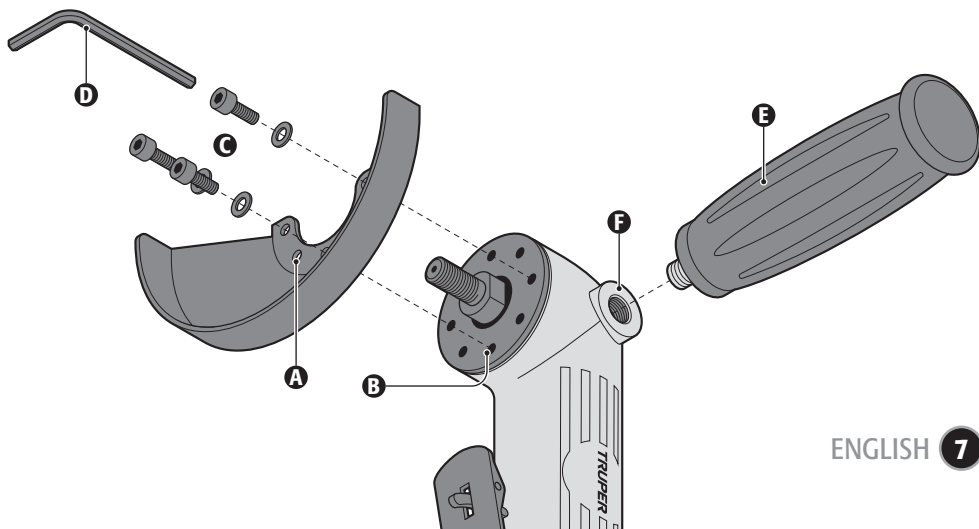
Assembly

Guard Assembly

- Match the holes in the guard **(A)** with the holes in the grinder head **(B)**.
- Use at least three sets of hex screws **(C)** to fix the guard in the most suitable position for the work to be done.
- Tighten the screws with the Allen wrench **(D)**.

Auxiliary Handle

- For safe operation use the auxiliary handle **(E)**.
- Place it in the corresponding hole **(F)** and turn it until it is securely fastened.



Cutting Disc (Not Included) Installation

- Confirm that the wheel size is compatible with the grinder and spindle size.

- Use only discs specified for grinding wheel r/min or larger.

⚠ WARNING • Disconnect the grinder from the air supply before inserting or removing the cut-off wheel.

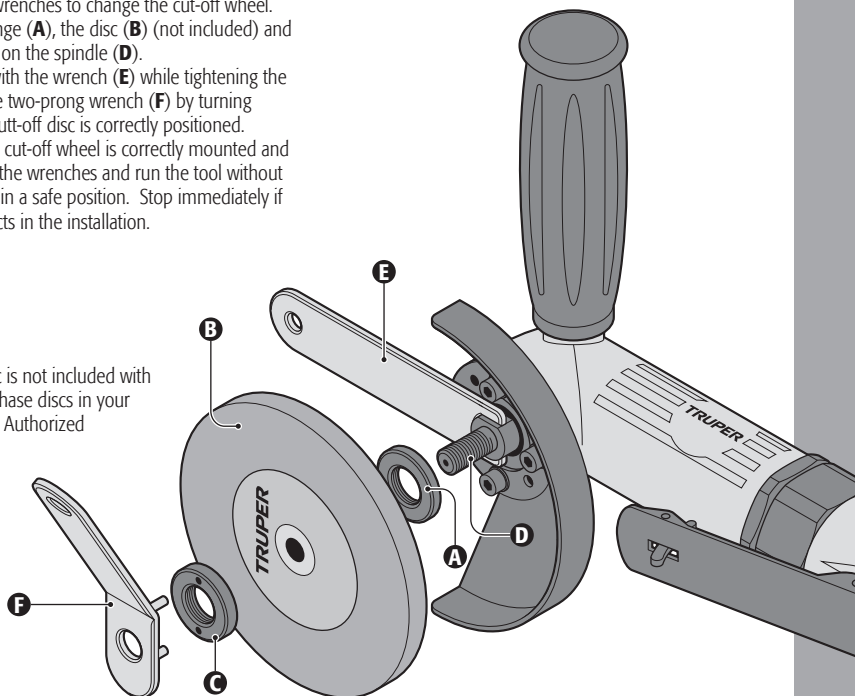
- Use the included wrenches to change the cut-off wheel.

- Place the inner flange (A), the disc (B) (not included) and the outer flange (C) on the spindle (D).

- Hold the spindle with the wrench (E) while tightening the outer flange with the two-prong wrench (F) by turning clockwise until the cut-off disc is correctly positioned.

- Make sure that the cut-off wheel is correctly mounted and tightened. Remove the wrenches and run the tool without load for 30 seconds in a safe position. Stop immediately if you detect any defects in the installation.

⚠ NOTE The disc is not included with the equipment. Purchase discs in your **TRUPER** Authorized Distributor.

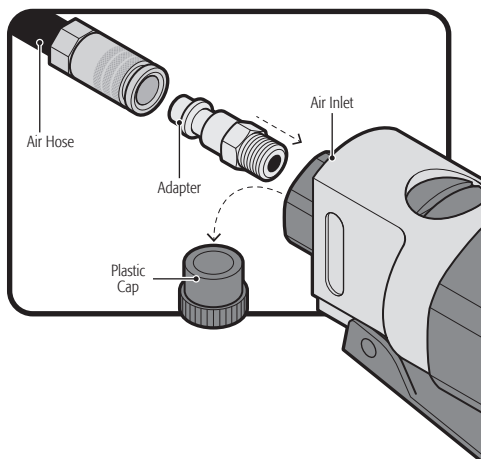


Air Inlet Connection

- Remove the plastic plug covering the air inlet at the base of the handle.

- Connect the air hose to the tool using an adapter (not included) by screwing the adapter to the air inlet of the tool.

- In case of working with different pneumatic tools and a single compressor, the use of a quick coupling (not included) together with the adapter is recommended for quick connection and disconnection of the tools and easy interchangeability.



Start Up

 **TRUPER®**

Turning ON

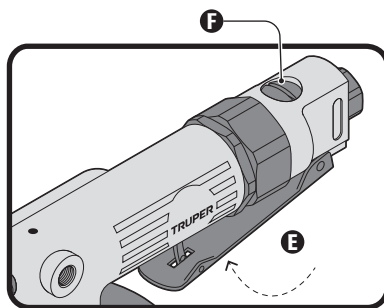
- Turn on the air compressor and allow it to fill.
- Regulate the air compressor output pressure from 517 kPa to 758 kPa (75 PSI to 110 PSI).

⚠ WARNING The tool operates at this pressure range; operating at higher pressure ranges will result in shorter tool life.

- Slide the trigger lock to the front and then with a full palm press the trigger to start the grinder spinning.
- Release the trigger to stop the grinder.

Operation

- Check that the workpiece is properly clamped. It should be held in such a way that throughout the cut, the groove made by the blade maintains or increases its width.
- Squeeze the trigger (**E**) and wait for the tool to reach full speed before contacting the workpiece. When finished cutting, remove the tool from the workpiece before turning it off.
- Do not exert additional pressure on the tool. This decrease cutting speed and efficiency and overloads the machine.




- In case the blade gets stuck in the cutting groove, release the trigger and remove the blade from the site. Check that the blade is properly installed and undamaged before continuing the operation.

⚠ CAUTION • Confirm that the sparks produced by the cuts do not become a hazard.

- Using a screwdriver, turn the regulating screw (**F**) to control the air flow into the tool to adjust the disc speed.

Maintenance


Lubrication


• Pneumatic tools need constant lubrication along their useful life and during the operation. The compressed air needed in the tool to run carry humidity which could oxidize the motor and bearing in the tool. To prevent this possibility, it is necessary to constantly deliver lubricating oil through a  **TRUPER®** Brand **UNI-LL-1/4** centralized filter-oiler system installed between the air compressor and the tool.

⚠ WARNING • Any excess of oil in the motor is immediately expelled through the exceeding oil escape. Keep the escape free of obstructions and never point it towards people or objects.

- If not using the tool for long periods of time, it shall need to be lubricated with care.
- After 60 hours' operation, the tool mechanism need a little greasing. Excessive grease may diminish power.

Service

• Servicing the tool shall be carried out every 3 months only in a  **TRUPER®** Authorized Service Center. Service and maintenance carried out by not certified people may be dangerous and can cause severe personal injuries as well as making the product Warranty void.


• Malfunction in the tool caused by no using the recommended dose of lubrication, or not complying with this Instructions, or repairs carried out by people not certified by  **TRUPER®** will not be covered with the Warranty. We reserve the right to carry out technical improvements without notice.

A series of horizontal dotted lines for writing notes.

In the event of any problem contacting a  **TRUPER** Authorized Service Center, please see our webpage www.truper.com to get an updated list, or call our toll-free numbers **800 690-6990** or **800 0187-8737** to get information about the nearest Service Center.

- AGUASCALIENTES** **DE TODO PARA LA CONSTRUCCIÓN**
GRAL. BARRAGÁN #1201, COL. GREMIAL, C.P. 20030,
AGUASCALIENTES, AGS. TEL.: 449 994 0537
- BAJA CALIFORNIA** **SUCURSAL TIJUANA**
AV. LA ENCANTADA, LOTE #5, PARQUE INDUSTRIAL EL
FLORIDO II, CP 22244, TIJUANA, B.C.
TEL.: 664 969 5100
- BAJA CALIFORNIA SUR** **FIX FERRETERÍAS**
FELIPE ANGELES ESQ. RUIZ CORTÍNEZ S/N, COL. PUEBLO
NUEVO, C.P. 23670, CD. CONSTITUCIÓN, B.C.S.
TEL.: 613 132 1115
- CAMPECHE** **TORNILLERÍA Y FERRETERÍA AAA**
AV. ÁLVARO OBREGÓN #324, COL. ESPERANZA
C.P. 24080 CAMPECHE, CAMP. TEL.: 981 815 2808
- CHIAPAS** **FIX FERRETERÍAS**
AV. CENTRAL SUR #27, COL. CENTRO, C.P. 30700,
TAPACHULA, CHIS. TEL.: 962 118 4083
- CHIHUAHUA** **SUCURSAL CHIHUAHUA**
AV. SILVESTRE TERRAZAS #128-11, PARQUE INDUSTRIAL
BAFAR, CARRETERA MEXICO CUAUHTEMOC, C.P. 31415,
CHIHUAHUA, CHIH. TEL. 614 434 0052
- MEXICO CITY** **FIX FERRETERÍAS**
EL MONSTRUO DE CORREGIDORA, CORREGIDORA # 22,
COL. CENTRO, C.P. 06060, CUAUHTEMOC, CDMX.
TEL.: 55 5522 5051 / 5522 4861
- COAHUILA** **SUCURSAL TORREÓN**
CALLE METAL MECÁNICA #280, PARQUE INDUSTRIAL
ORIENTE, C.P. 27278, TORREÓN, COAH.
TEL.: 871 209 68 23
- COLIMA** **BOMBAS Y MOTORES BYMTESA DE MANZANILLO**
BLVD. MIGUEL DE LA MADRID #190, COL. 16 DE
SEPTIEMBRE, C.P. 28239, MANZANILLO, COL.
TEL.: 314 332 1986 / 332 8013
- DURANGO** **TORNILLOS ÁGUILA, S.A. DE C.V.**
MAZURIO #200, COL. LUIS ECHEVERRÍA, DURANGO,
DGO.TEL.: 618 817 1946 / 618 818 2844
- ESTADO DE MÉXICO** **SUCURSAL CENTRO JILOTEPEC**
AV. PARQUE INDUSTRIAL #1-A, C.P. 54240, JILOTEPEC,
EDO. DE MÉX. TEL: 761 782 9101 EXT. 5728 Y 5102
- GUANAJUATO** **ÍA. FERRETERA NUEVO MUNDO S.A. DE C.V.**
AV. MEXICO - JAPÓN #225, CD. INDUSTRIAL, C.P. 38010,
CELAYA, GTO. TEL.: 461 617 7578 / 79 / 80 / 88
- GUERRERO** **CENTRO DE SERVICIO ECLIPSE**
CALLE PRINCIPAL MZ1 LT 1, COL. SANTA FE, C.P. 39010,
CHILPANCIINGO, GRO. TEL.: 747 478 5793
- HIDALGO** **FERREPRECIOS S.A. DE C.V.**
LIBERTAD ORIENTE #304 LOCAL 30, INTERIOR DE PASAJE
ROBLEDO, COL. CENTRO, C.P. 43600, TULANCINGO,
HGO. TEL.: 775 753 6615 / 775 753 6616
- JALISCO** **SUCURSAL GUADALAJARA**
AV. ADOLFO B. HORN # 6800, COL: SANTA CRUZ DEL
VALLE, CP: 45655, TLAJOMULCO DE ZÚNIGA, JAL.
TEL.: 33 3606 5285 AL 90
- MICHOACÁN** **FIX FERRETERÍAS**
AV. PASEO DE LA REPÚBLICA #3140-A, COL.
EX-HACIENDA DE LA HUERTA, C.P. 58050, MORELIA,
MICH. TEL.: 443 334 6858
- MORELOS** **FIX FERRETERÍAS**
CAPITAN ANZÚRES #95, ESQ. JOSÉ PERDIZ, COL.
CENTRO, C.P. 62740, CUAUTLA, MOR.
TEL.: 735 352 8931
- NAYARIT** **HERRAMIENTAS DE TEPEC**
MAZATLAN #117, COL. CENTRO, C.P. 63000, TEPEC, NAY.
TEL.: 311 258 0540
- NUEVO LEÓN** **SUCURSAL MONTERREY**
CARRETERA LAREDO #300, 1B MONTERREY PARKS,
COLONIA PUERTA DE ANAHUAC, C.P. 66052, ESCOBEDO,
NUEVO LEÓN, TEL: 81 8352 8791 / 81 8352 8790
- OAXACA** **FIX FERRETERÍAS**
AV. 20 DE NOVIEMBRE #910, COL. CENTRO, C.P. 68300,
TUXTEPEC, OAX. TEL: 287 106 3092
- PUEBLA** **SUCURSAL PUEBLA**
AV PERIFÉRICO #2-A, SAN LORENZO ALMECATLA,
C.P. 72710, CUAUTLACINGO, PUE.
TEL.: 222 282 8282 / 84 / 85 / 86
- QUERÉTARO** **ARU HERRAMIENTAS S.A DE C.V.**
AV. PUERTO DE VERACRUZ #110, COL. RANCHO DE
ENMEDIO, C.P. 76842, SAN JUAN DEL RÍO, QRO.
TEL.: 427 268 4544
- QUINTANA ROO** **FIX FERRETERÍAS**
CARRETERA FEDERAL MZ. 46 LT. 3 LOCAL 2, COL EJIDAL,
C.P. 77710 PLAYA DEL CARMEN, Q.R.
TEL.: 984 267 3140
- SAN LUIS POTOSÍ** **FIX FERRETERÍAS**
AV. UNIVERSIDAD #1850, COL. EL PASEO, C.P. 78320,
SAN LUIS POTOSÍ, S.L.P. TEL.: 444 822 4341
- SINALOA** **SUCURSAL CULIACÁN**
AV. JESÚS KUMATE SUR #4301, COL. HACIENDA DE LA
MORA, C.P. 80143, CULIACÁN, SIN.
TEL.: 667 173 9139 / 173 8400
- SONORA** **FIX FERRETERÍAS**
CALLE 5 DE FEBRERO #517, SUR LT. 25 MZ. 10, COL.
CENTRO, C.P. 85000, CD. OBREGÓN, SON.
TEL.: 644 413 2392
- TABASCO** **SUCURSAL VILLAHERMOSA**
CALLE HELIO LOTES 1, 2 Y 3 MZ. #1, COL. INDUSTRIAL,
2A ETAPA, C.P. 86010, VILLAHERMOSA, TAB.
TEL.: 993 353 7244
- TAMAULIPAS** **VM ORINGS Y REFACCIONES**
CALLE ROSITA #527 ENTRE 20 DE NOVIEMBRE Y GRAL.
RODRÍGUEZ, FRACC. REYNOSA, C.P. 88780, REYNOSA,
TAMS. TEL.: 899 926 7552
- TLAXCALA** **SERVICIOS Y HERRAMIENTAS INDUSTRIALES**
PABLO SIDAR #132, COL. BARRIO DE SAN BARTOLOMÉ,
C.P. 90970, SAN PABLO DEL MONTE, TLAX.
TEL.: 222 271 7502
- VERACRUZ** **LA CASA DISTRIBUIDORA TRUPER**
BLVD. PRIMAVERA ESQ. HORTENSIA S/N, COL.
PRIMAVERA, C.P. 93308, POZA RICA, VER.
TEL.: 782 823 8100 / 826 8484
- YUCATÁN** **SUCURSAL MÉRIDA**
CALLE 33 #600 Y 602, LOCALIDAD ITZINCAB Y MULSAY,
MPIO. UMANÁ, C.P. 97390, MÉRIDA, YUC.
TEL.: 999 912 2451

Code	Model	Brand
101072	TPN-875	 TRUPER®

This product is guaranteed for 2 years. To make the warranty valid or purchase parts and components you must present the product in Corregidora 22, Col. Centro, Alc. Cuauhtémoc, CDMX C.P. 06060 or at the establishment where you purchased it, or at any Truper® Service Center listed in the annex to the warranty policy and/or in www.truper.com. Transportation costs resulting from compliance of this warranty will be covered by  **TRUPER®**

For questions or comments, call **800-690-6990**. Made in China. Imported by Truper S.A. de C.V. Parque Industrial 1, Jilotepec, Edo. de Méx. C.P. 54240

Stamp of the business. Date of purchase:



2 YEARS